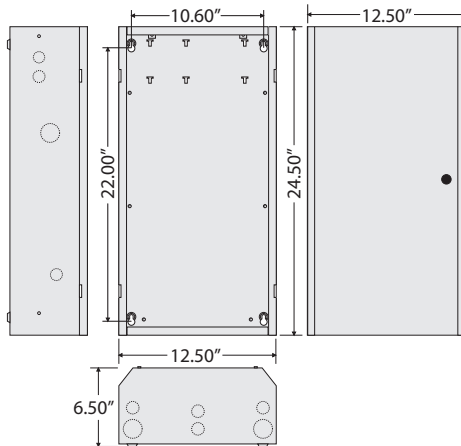


## AC POWER SUPPLY

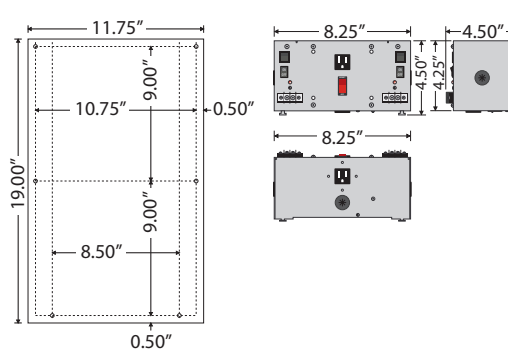
### MHP3903100A100AB10

Enclosed Dual 100 VA Power Supplies with Subpanel:  
Models MH3900 + **SP3803S** + PS100A100AB10



### MHP3904100A100AB10

Enclosed Dual 100 VA Power Supplies with Subpanel:  
Models MH3900 + **SP3804S** + PS100A100AB10



POWER SUPPLIES

### POWER SUPPLY (PS100A100AB10)

**Transformer:** Two 100 VA Split-Bobbin  
**Over Current Protection:** Circuit Breaker  
**Frequency:** 50/60 Hz  
**24 Vac ON/OFF:** On / Off Switch & Breaker  
**Main Breaker ON/OFF:** Switch / Breaker (10 Amp)  
 (Kills power to entire unit: Outlets, Aux. Output, & Transformer)\*  
**Approvals:** Class 2 (UL Approved UL5085-3), UL916, C-UL  
**Dimensions:** 4.500" x 8.625" x 4.500"  
**Weight:** 7.000 lbs.

**Input Wires:** Input Power Wires  
 BLK: 120 Vac  
 WHT: Neutral  
 GRN: Ground

Outlet Wires  
 BLK: 120 Vac  
 WHT: Neutral  
 GRN: Ground

**Output Wires:** Auxiliary Output  
 BLU: 120 Vac

#### Notes:

- Output derating may exceed 20% due to elevated ambient temperature or heat buildup in device over time.
- Design is in accordance with ASCE 7-05 Chapter 13

### SELECTION GUIDE

Model #	Sub-Panel
MHP3903100A100AB10	Polymetal
MHP3904100A100AB10	Perforated Steel

### POLYMETAL SUB-PANEL (SP3803S)

**Mounting Area:** 223.25" square  
**Approvals:** Plenum Rated  
**Dimensions:** 19.00" x 11.75"  
**Weight:** 1.705 lbs.

### PERFORATED STEEL SUB-PANEL (SP3804S)

**Mounting Area:** 223.25" square  
**Approvals:** Plenum Rated  
**Dimensions:** 19.00" x 11.75"  
**Weight:** 2.94 lbs.

### METAL HOUSING (MH3900)

**Construction:** 14 Gauge Steel  
**Cover Type:** Reversible Hook Hinge Key Latch Door  
**Approvals:** UL Listed, C-UL, CE Approved, RoHS  
**Dimensions:** 12.50" (W) x 24.50" (H) x 6.50" (D)  
**Weight:** 24.30 lbs.